



PART NAME

## EXTRUDED ALUMINUM IP65 PCB ENCLOSURES

PART No.

EXN-23355 (SEE TABULATION FOR COMBINATIONS)

REVISION DATE

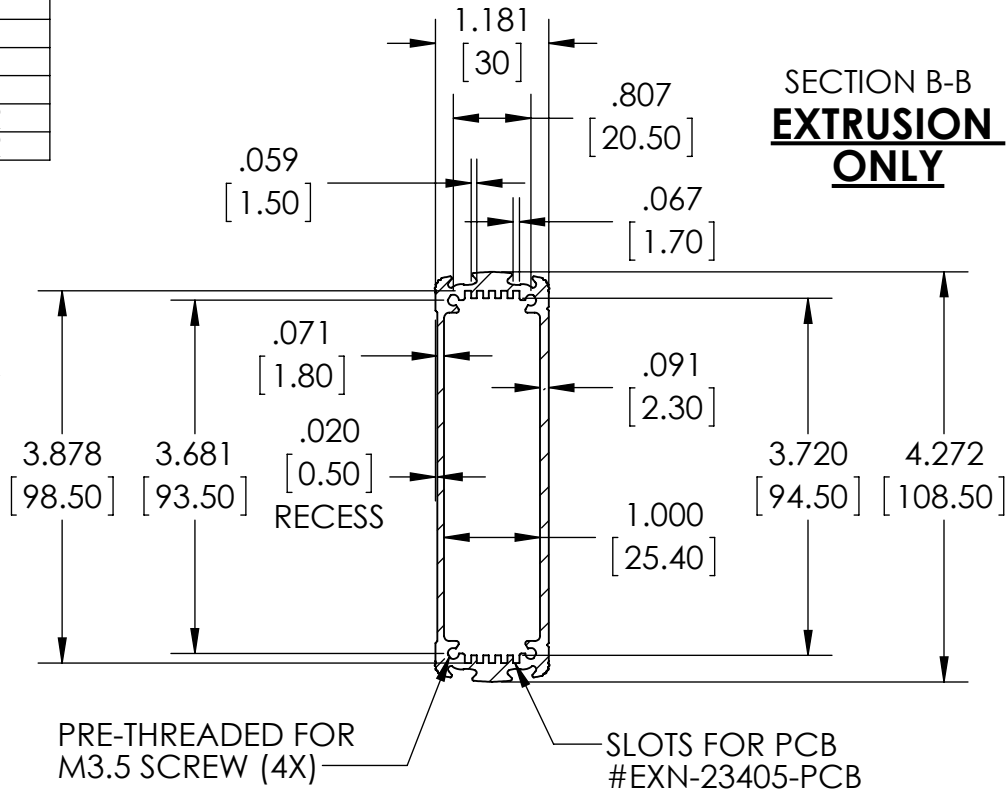
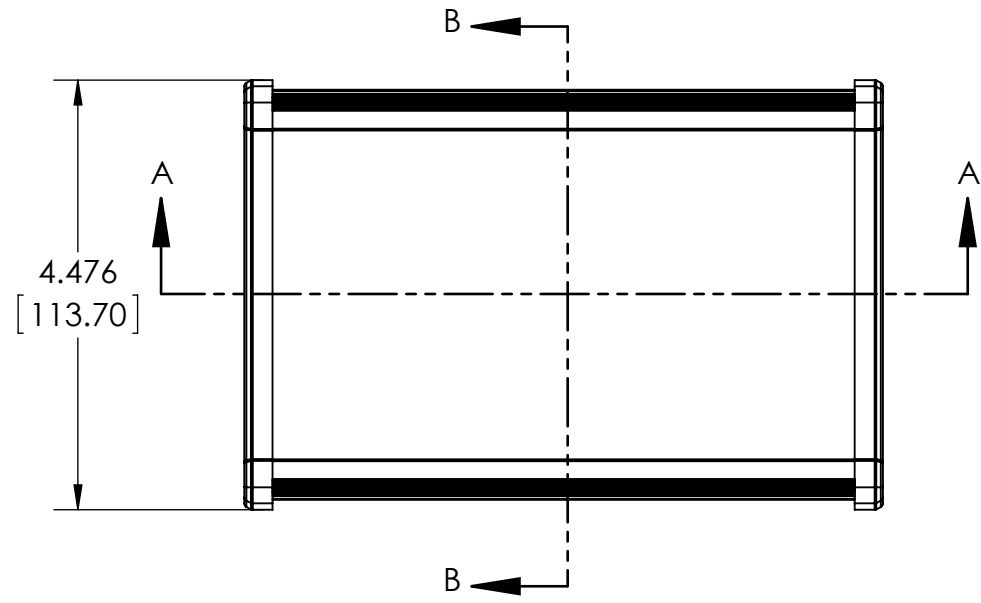
10-23-15

| PART NUMBER   | ALUM. COVER | PLASTIC COVER    | BODY COLOR |
|---------------|-------------|------------------|------------|
| EXN-23355-BK  | BLACK       | -                | BLACK      |
| EXN-23355-BKP | -           | BLACK            | BLACK      |
| EXN-23355-BL  | BLACK       | -                | BLUE       |
| EXN-23355-BLP | -           | TRANSLUCENT BLUE | BLUE       |
| EXN-23355-GD  | BLACK       | -                | GOLD       |
| EXN-23355-GDP | -           | CLEAR            | GOLD       |
| EXN-23355-RD  | BLACK       | -                | RED        |
| EXN-23355-RDP | -           | IR RED           | RED        |
| EXN-23355-SV  | BLACK       | -                | SILVER     |
| EXN-23355-SVP | -           | CLEAR            | SILVER     |

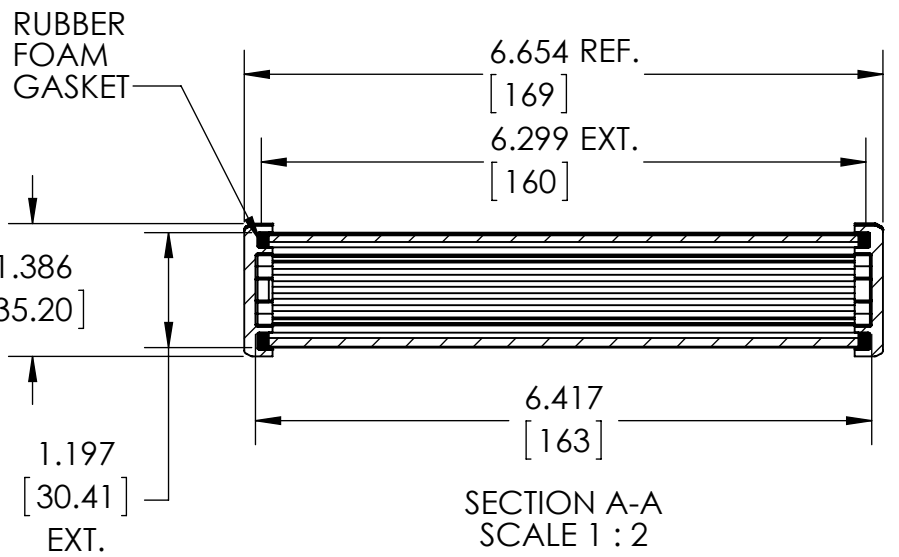
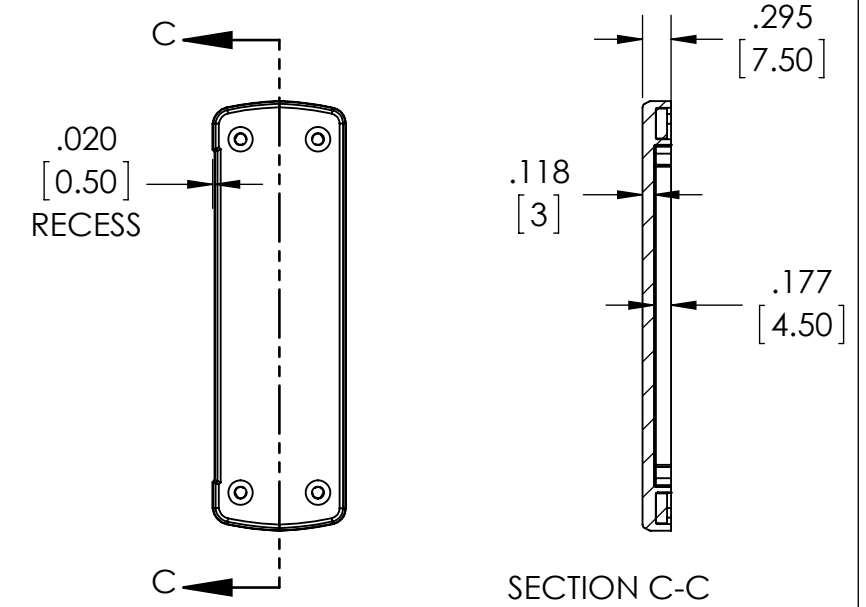
MATERIAL: ALUMINUM EXTRUSION BODY PROVIDED WITH ALUMINUM COVER (2X) AND GASKETS OR POLYCARBONATE COVER (2X) AND GASKETS - NOT ASSEMBLED

DIMENSIONS ARE INCH[MM]

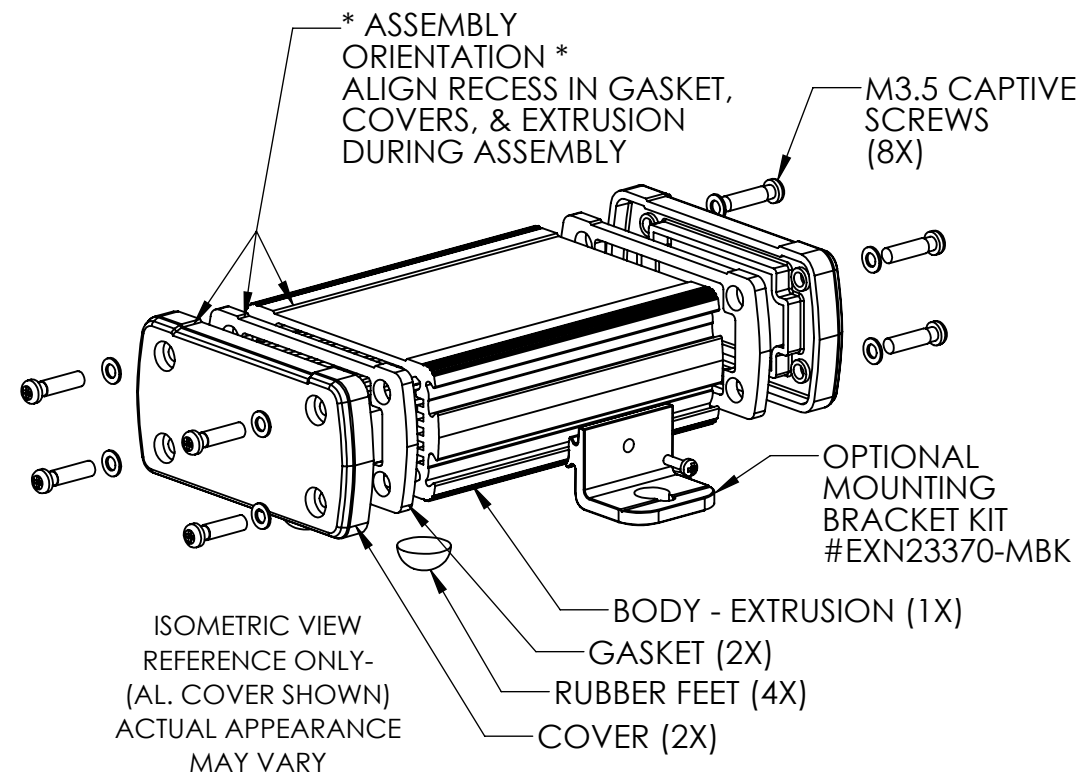
**DRAWING FOR REFERENCE**  
WE RESERVE THE RIGHT TO MAKE CHANGES TO OUR STANDARD PRODUCTS. PLEASE CONSULT WITH BUD INDUSTRIES PRIOR TO USING THIS DRAWING FOR DESIGN PURPOSE.



**DIE CAST ALUMINUM COVER**



SECTION A-A  
SCALE 1 : 2  
DIMENSIONS MAY VARY DEPENDING ON THE COMPRESSION OF THE GASKETS



**PLASTIC COVER**

